

SlabTek System in Tilt-up Wall Construction

Tella SlabTek System is an ideal solution for commercial tilt-up wall construction in areas with active or expansive soils. Wall panel design and installation is similar to traditional tilt-up wall installation. Walls are erected on concrete piers and void forms, using traditional construction methods, however there is no need for expensive soil remediation under the slab as in traditional slab-on-ground designs and installations.



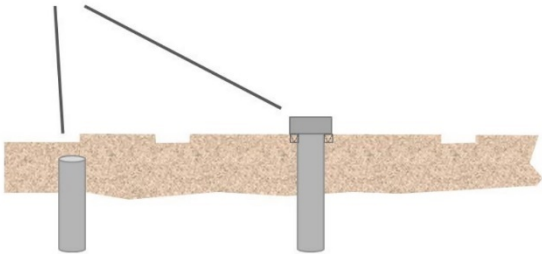
SlabTek System Slab Advantage

- Eliminates the need for expensive soil remediation.
- Heavy-load concrete piers are installed for exterior tilt-up wall panels and interior structural columns.
- Light-load concrete or steel helical piers are installed to carry the load of the foundation.
- Tilt-up panels can be formed and poured on the slab.
- Once panels are lifted into place and secured, the SlabTek System is elevated.
- An elevated slab provides 'protective void' under slab to mitigate damage from active soils.

Step-by-Step Overview of Installation

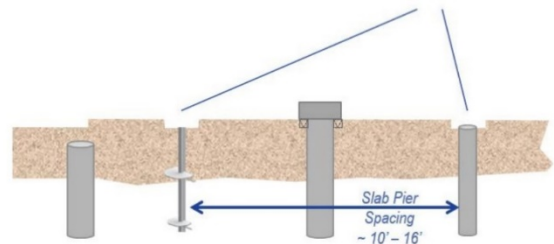
1. Heavy-Load Concrete Piers Installed

"Heavy" Piers
(for Tilt-up Wall and
Structural Columns)



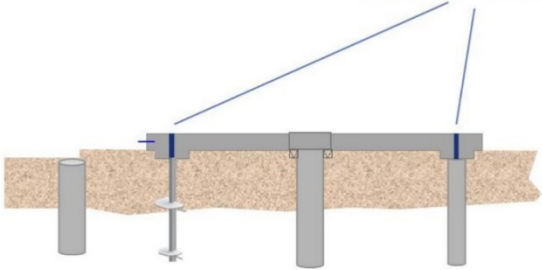
2. Light-Load Concrete or Helical Piers Installed

"Light" Slab Piers
(12" diameter Concrete
Or Steel Helical Piers)



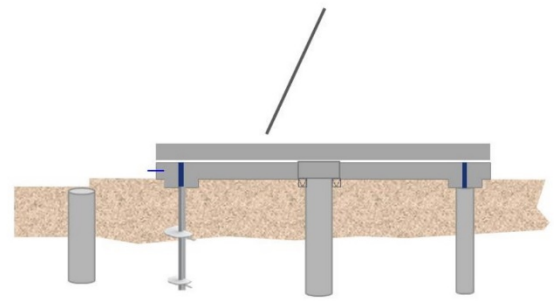
3. Slab Poured with Tella Firma Mechanisms

TELLA FIRMA
Lifting Mechanism

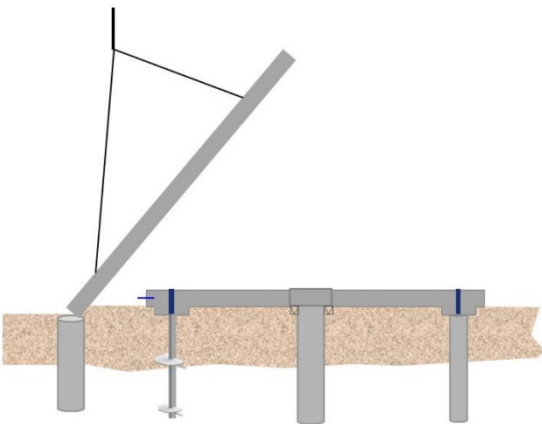


4. Tilt-Up Wall Panels Poured on top of Slab

Tilt-Up Wall Panel Poured
on Top of Slab

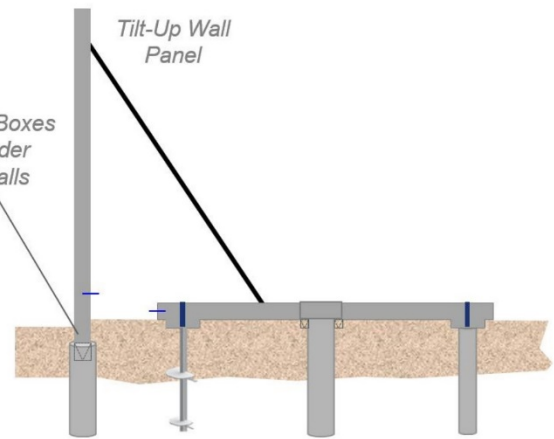


5. Tilt-Up Wall Panels Lifted into Place

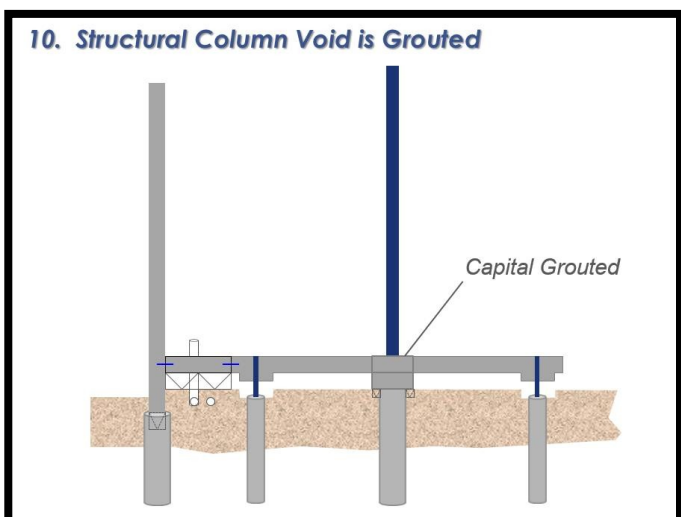
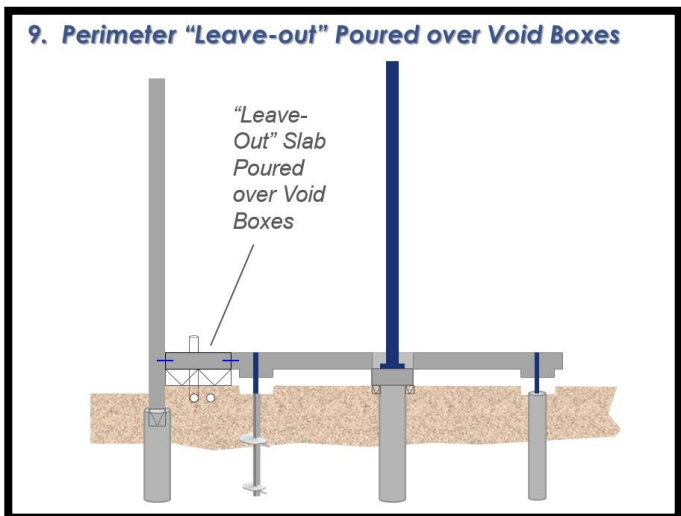
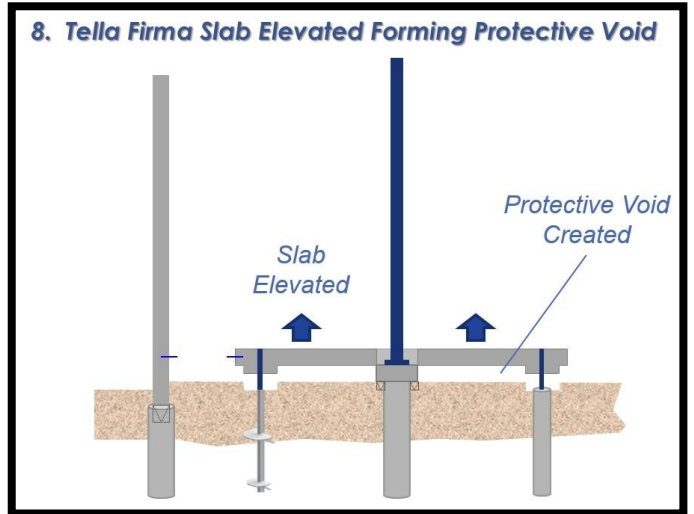
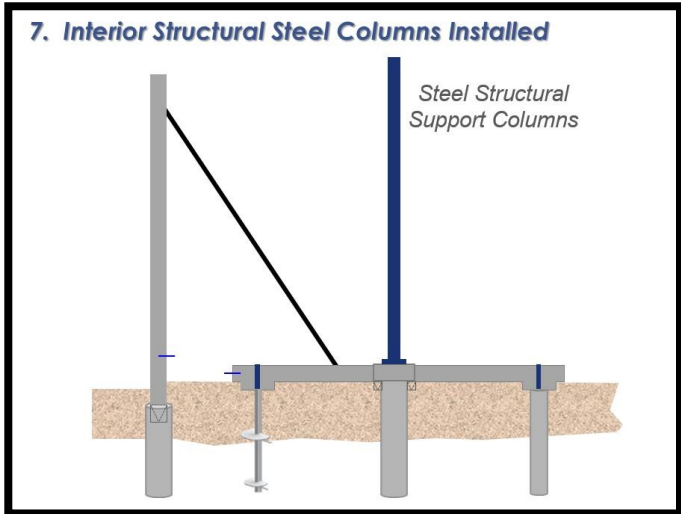


6. Tilt-Up Wall Panel Held in Place with Braces

Tilt-Up Wall
Panel
Void Boxes
Under
Walls



Step-by-Step Overview of Installation





**SlabTek System in Tilt Up Wall
Construction**

Release Date – April 1, 2017

© SlabTek 2024

*This product and implementation of
suspended slabs using this product are
protected by the following United States
and Canadian Patents which are owned
exclusively by SlabTek, US Patents:
8458984, 8671627, 8407898, 8678712,
7823341 B2, 8069620 B2.
Canadian Patent: 2628422*

For more information contact:



1500 N. Greenville Ave., Suite 1000
Richardson, TX 75081

SlabtekCompany.com

Phone: 214.451.6630